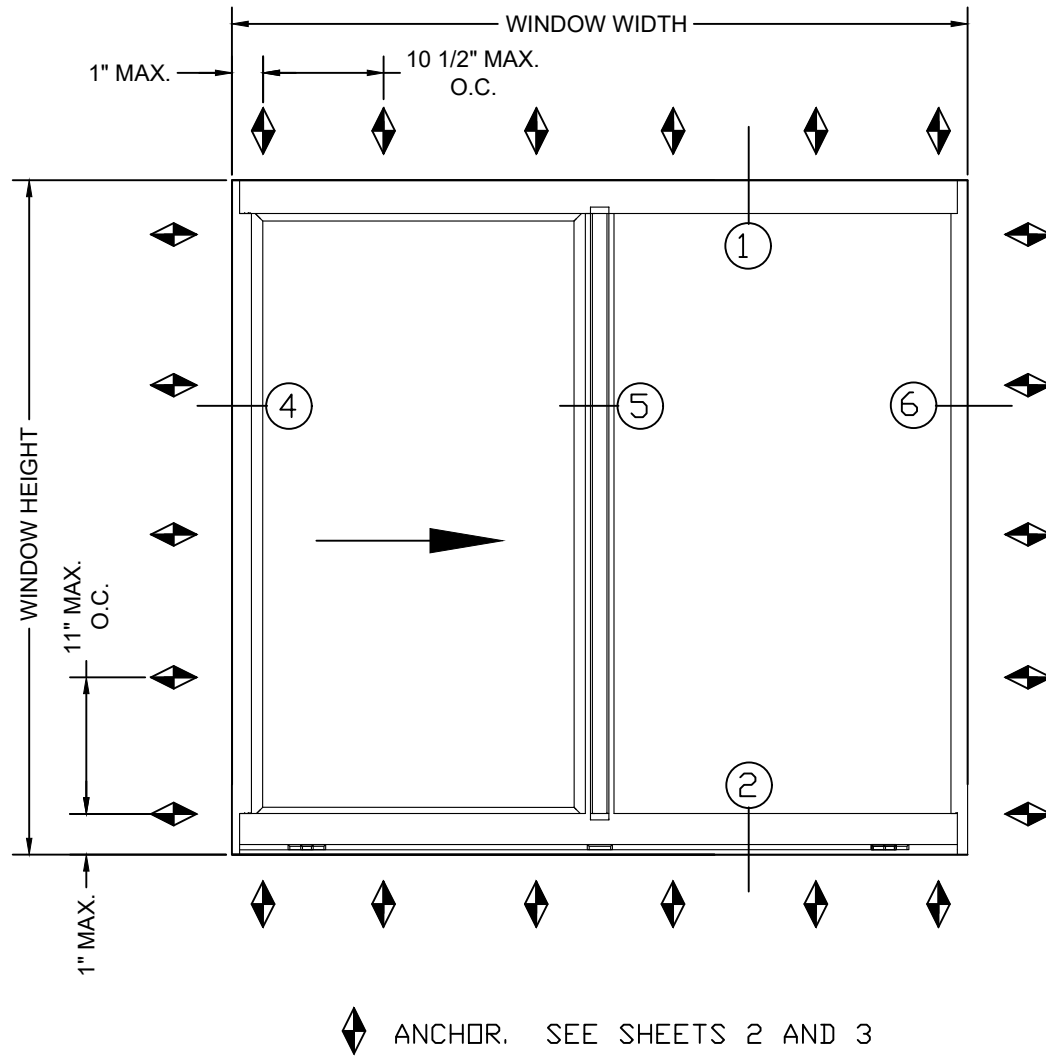


E500 HORIZONTAL SLIDING WINDOW (NON-IMPACT) - NAIL FIN INSTALLATIONS



Maximum Dimensions and Design Pressure			
	WIDTH	HEIGHT	Pressure
OVERALL UNIT	99"	79"	± 50 PSF
SASH	49 1/2"	74 5/16"	
SASH DLD	45 5/8"	70 1/16"	
FIXED DLD	45 7/8"	71 9/16"	

Minimum Glazing
 1" Insulating Glass
 EXT - 3/16" Annealed Glass
 INT - 3/16" Annealed Glass

NOTES:

1. Installations depicted satisfy the requirements of the Florida Building Code, Building 8th Edition (2023) for design wind pressures and overall sizes noted.
2. Wood bucks, wood framing and steel stud framing are by others and shall be designed by the architect or engineer of record to resist the loads imparted to them.
3. Wood bucks and wood framing are assumed SYP (G=0.55) or denser. Buck width shall be greater than the window frame width. Tapered or partial width buck strips are not allowed.
4. Metal stud frames are assumed to be a minimum 18 gauge 33 KSI steel.
5. Wood screws shall meet requirements of ANSI/ASME B18.6.1.
6. TEKS screws shall be ASTM A510 Grade 1018 or equivalent.
7. Maximum shim thickness 1/4".
8. Products are not impact resistant and require approved protection devices if used in windborne debris regions.
9. Not for use in High Velocity Hurricane Zone (HVHZ).

CONTENTS

Sheet 1/3 Elevation and Notes
 Sheet 2/3 Vertical Sections
 Sheet 3/3 Horizontal Sections

Tanya A. Dolby, P.E.
 FL PE No. 93536
 Intertek-ATI
 130 Derry Ct., York, PA 17406
 (717) 764-7700
 Project: Q8188.01-122-34

Project Name: **E500 HSW**
FL# 14071
INSTALLATION INSTRUCTIONS

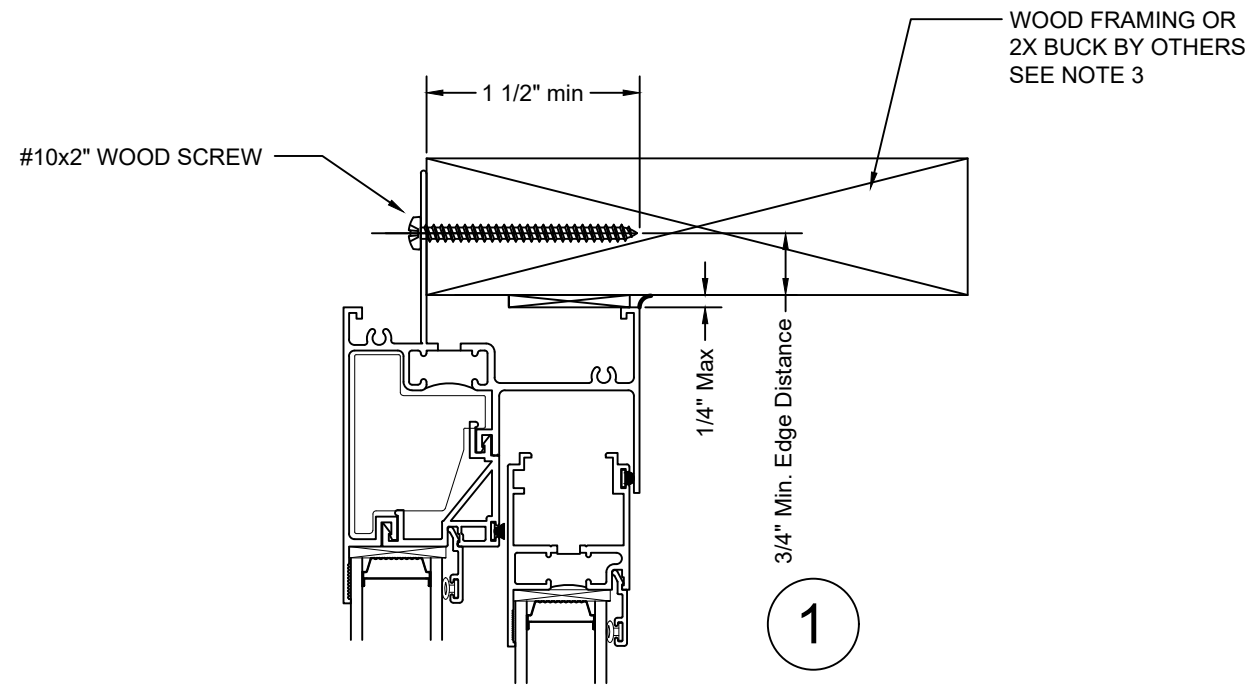
Description: **ELEVATION AND NOTES**

QUAKER WINDOW PRODUCTS WILL NOT BE RESPONSIBLE FOR FIELD MEASUREMENT QUANTITIES, & INSTALLATION DESIGN. CONTRACTOR MUST VERIFY ALL DIMENSIONS.	Revision #:	By:
	2	MJT

PHONE (573)-744-5211
 FAX (573)-744-5586
 COMMERCIAL
 www.quakerwindows.com
 Scale: NONE
 Sheet #: 1 of 3

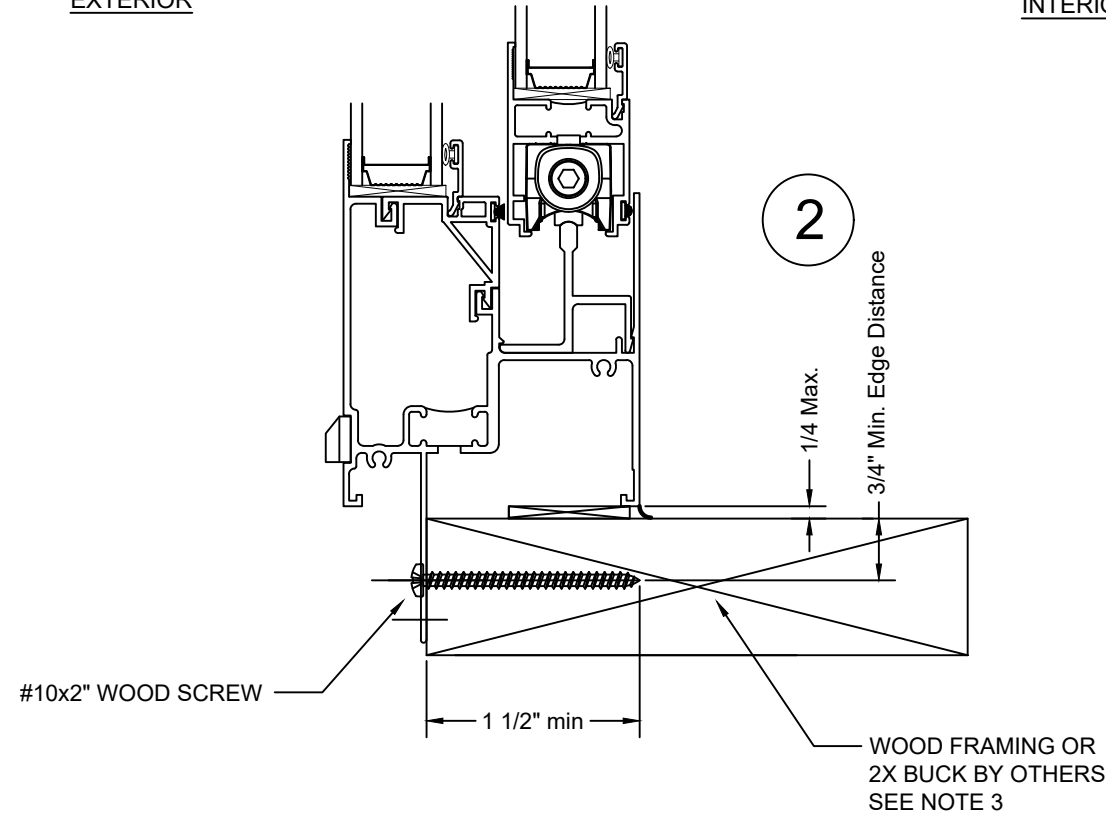
504 Highway 63 South
 Freeburg, MO 65035
 draiting@quakerwindows.com

Drawn By: JAR
 Date: 12-4-2023



EXTERIOR

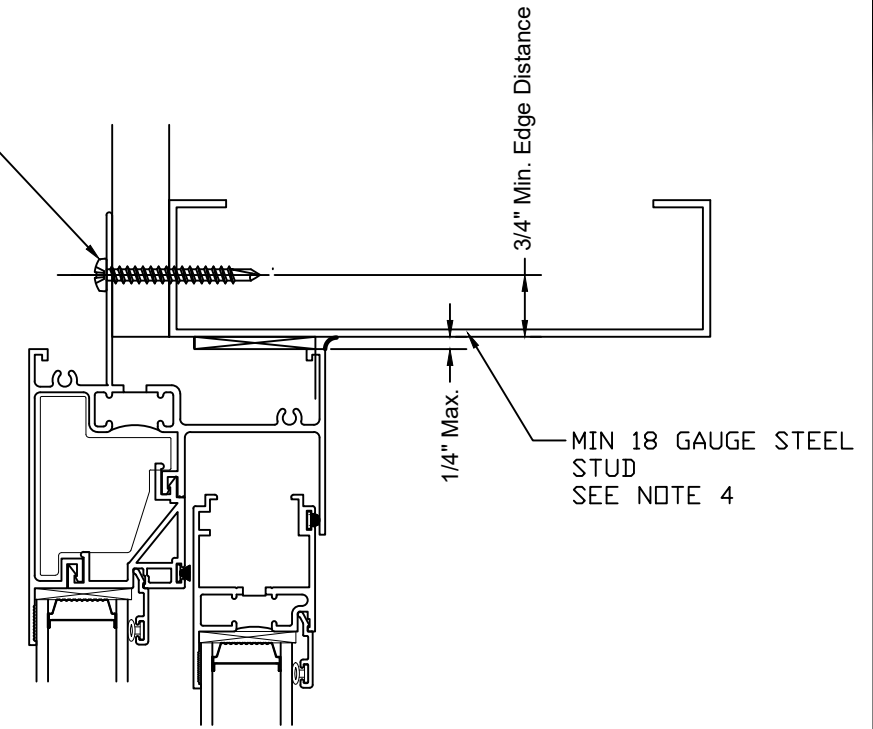
INTERIOR



VERTICAL SECTION DETAIL

WOOD FRAMING INSTALLATION

#10-16 TEKS SCREW
MIN 3 FULL THREAD
PENETRATION OF STEEL



OPTIONAL STEEL FRAMING INSTALLATION

Tanya A. Dolby, P.E.
FL PE NO. 93536
Intertek-ATI
130 Derry Ct., York, PA 17406
(717) 764-7700
Project: Q8188.01-122-34



Drawn By: JAR
Date: 12-4-2023

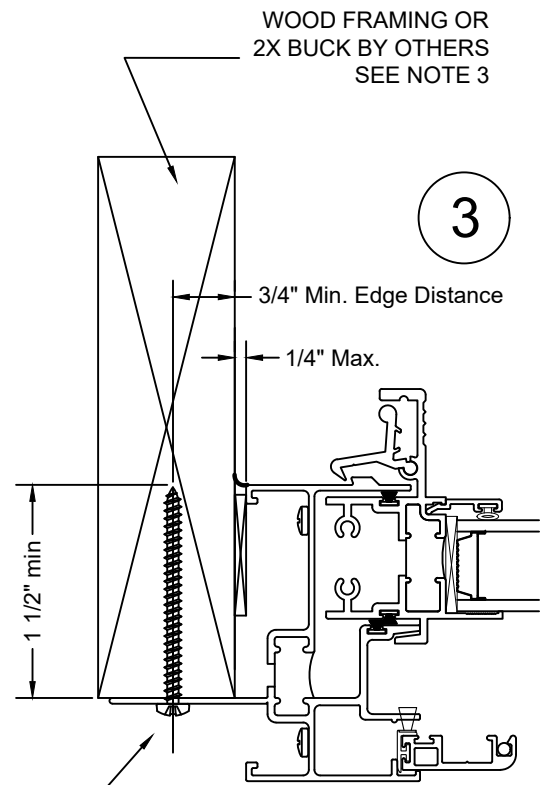
PHONE (573)-744-5211
FAX (573)-744-5586
COMMERCIAL
www.quakerwindows.com
Scale: NONE
Sheet #: 2 of 3

DESCRIPTION: VERTICAL SECTIONS
QUAKER WINDOW PRODUCTS
WILL NOT BE RESPONSIBLE
FOR FIELD MEASUREMENT
QUANTITIES, & INSTALLATION
DESIGN. CONTRACTOR MUST
VERIFY ALL DIMENSIONS.

Revision #:	By:
2	MJT
Revision #:	By:
2	MJT
Revision #:	By:
2	MJT

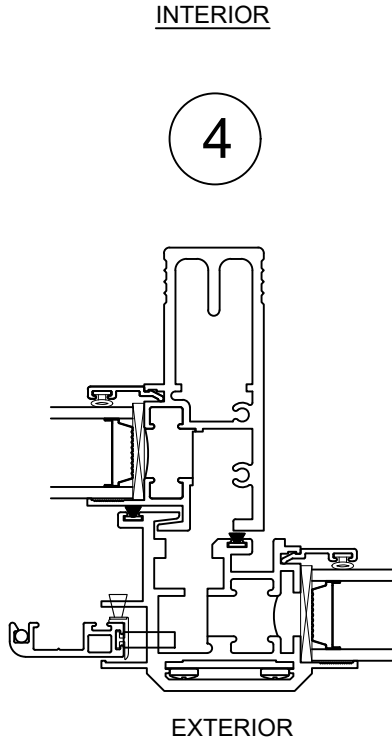
Project Name:

E500 HSW
FL# 14071
INSTALLATION INSTRUCTIONS



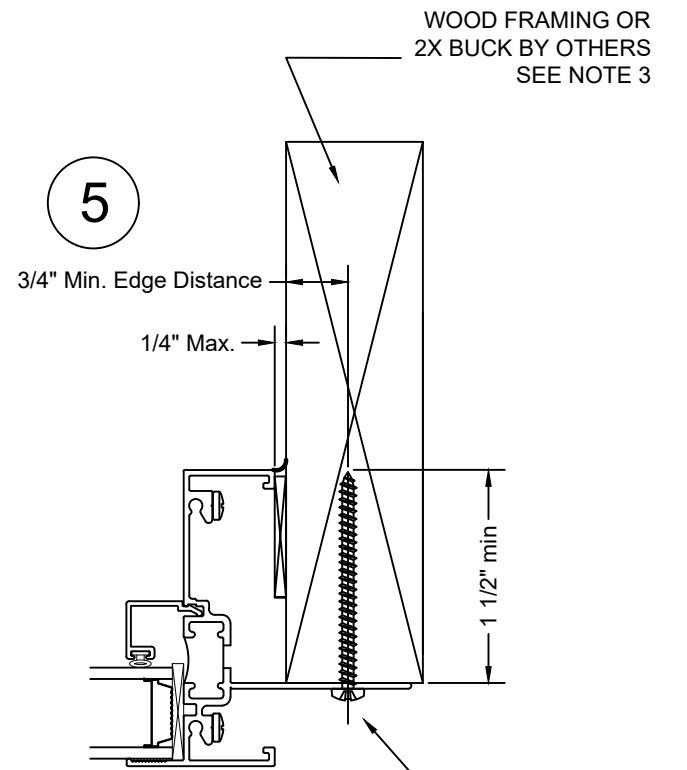
3

#10x2" WOOD SCREW



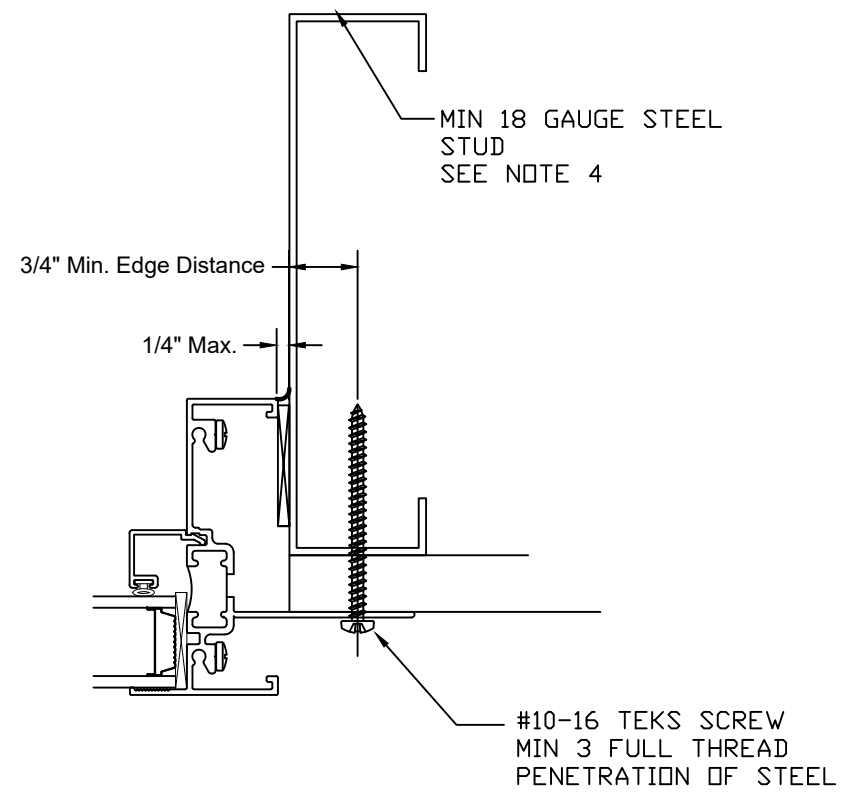
4

HORIZONTAL SECTION DETAIL
WOOD FRAMING INSTALLATION



5

#10x2" WOOD SCREW



OPTIONAL STEEL FRAMING INSTALLATION

Project Name:
**E500 HSW
FL# 14071**
INSTALLATION INSTRUCTIONS

Description:		Revision #:	
HORIZONTAL SECTIONS		By:	By:
QUAKER WINDOW PRODUCTS WILL NOT BE RESPONSIBLE FOR FIELD MEASUREMENT QUANTITIES, & INSTALLATION DESIGN. CONTRACTOR MUST VERIFY ALL DIMENSIONS.		Date:	Date:
		Revision #:	Revision #:
		Date:	Date:
		By:	By:
		Date:	Date:
		Revision #:	Revision #:
		2	04/11/21
		MJT	

PHONE (573)-744-5211
FAX (573)-744-5586
COMMERCIAL
www.quakerwindows.com
Scale: NONE
Sheet #: 3 of 3

QUAKER
COMMERCIAL WINDOW AND DOOR
504 Highway 63 South
Freeburg, MO 65035
draiting@quakerwindows.com

Tanya A. Dolby, P.E.
FL PE NO. 93536
Intertek-ATI
130 Derry Ct., York, PA 17406
(717) 764-7700
Project: Q8188.01-122-34

Drawn By: JAR
Date: 12-4-2023